



Chargemaster VCM

ELECTROSTATIC CHARGING GENERATOR

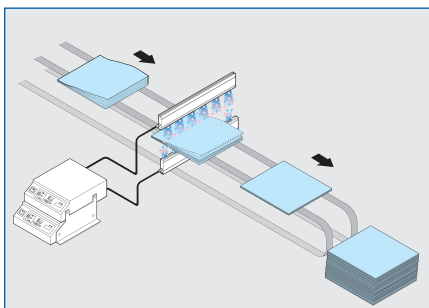
The Chargemaster VCM is programmable for either voltage or current control mode to supply the high voltage for charging bars and various charging applicators used to electrostatically bond materials. The Chargemaster VCM provides a robust solution for a wide range of production processes maximizing the efficiency of the application.

- Run up to 4 charging bars or applicators
- Capable of voltage or current control mode operation
- Simplified programmable menu with status indicator
- Remote operation capability
- Short circuit protected output
- Powerful industry leading 5mA pinning current

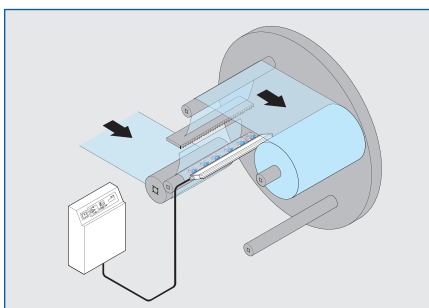




Applications



Catalog Stacking



Roll to Roll Transfer



Bi-Polar Configuration (Positive / Negative)



Wallmount (single polarity)

The Chargemaster VCM is a switch-mode, power factor corrected, charging generator. The units output current is electronically limited and protected against damage from arcing. When the VCM is paired with the Pinner-T charging bar, operating in current mode, this combination offers unparalleled performance and reliability in demanding pinning applications.

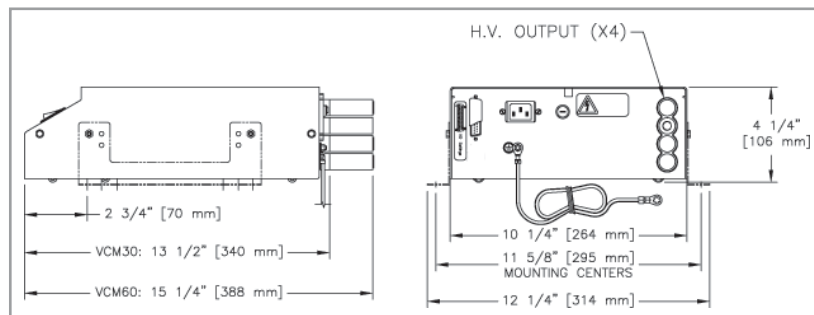
Remote Operator Functions

- Turn high voltage on and off
- Output voltage display/adjustment
- Output current display/adjustment
- Overload indication

Specifications

Input Voltage	85-264 VAC @ 47-63Hz - (self adjusting)
Output Voltage	VCM 30: 0-30 kV @ 5mA VCM 60: 0-60 kV @ 2.5mA
Voltage Rise Time	Under 70 msec
Output Ports	4
Remote I/O	Analog Signals, 0-20 mA or 4-20 mA or 0-5 VDC or 0-10 VDC via D/sub connector
Remote On/Off	via D/sub connector, and programmable menu
Enclosure	Steel
Dimensions	VCM 30: 30 kV – 10.5"W x 4.25"H x 13.5"D VCM 60: 60 kV – 10.5"W x 4.25"H x 15"D
Weight	16.5 lbs
Ambient Operating Temperature	32°F to 131°F (0°C to 55°C)
Approval	CE

Dimensions



SIMCO ION™

An ITW Company

P/N 5201072 Rev. C
© 2015 Simco-Ion – All rights reserved.
Specifications are subject to change without notice.

Simco-Ion

2257 North Penn Road
Hatfield, PA 19440-1998

Tel: 800.203.3419 (in USA)
Tel: 215.822.6401

customerservice@simco-ion.com
www.simco-ion.com