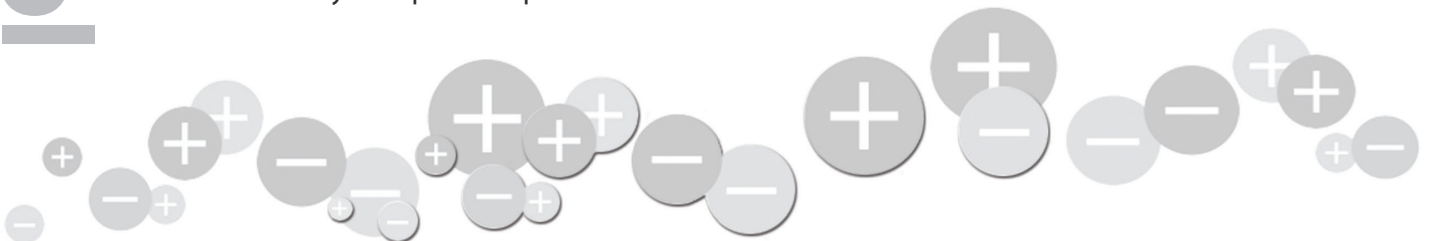


IQ Power Fantom™ HL Blower

Simco-Ion's IQ Power Fantom HL Blower is an ionizing blower designed for static elimination in hazardous locations. It is the first HL Blower to be compatible with a control station for monitoring and communication. The Fantom HL Blower is a two-part system that includes the Blower with the IQ Power HL Static Neutralizing Bar and the IQ Power HL or HLC Power Supplies.

- ETL listed for use in Class I, Division 1 and 2, Group D hazardous locations.
- Compatible with IQ Power Control Station for detailed monitoring and communications
- Use with the HL Sensor in closed-loop feedback for optimal ion output and ion balance control
- Detachable static bar allows for easy cleaning
- Easy to replace disposable air filters



Specifications

Blower	
Input	115 VAC, 60 Hz, 1.9A (10A during startup)
Operating Temp	32-104°F [0-40°C]; 70% RH (max), no condensing (dewing) permissible
Air Volume	285 cfm (8m ³ /min) max
Air Filter	5.8" (147 mm) diameter polyurethane foam 25 ppi
Air Speed	1200 fpm @ 4 ft (6 m/s @ 1.2m), fan speed high (measured at centerline)
Noise Level	68 dB @ 2 ft (0.6m), fan speed high
Enclosure	Steel, blue epoxy powder coated
Connection	½" NPT male thread for metal conduit
Dimensions	18.25"L x 21.30"W x 7.50"H (437 x 541 x 191 mm)
Weight	27 lb (12.25 kg)
Approvals	UL for Class 1, Div 1 & 2 Group D hazardous locations
Bar	
Operating Voltage	±7 kV from IQ Power HL/HLC power supply
Enclosure	Glass-fiber-reinforced polyester
Connection	½" NPT male thread at end of bar for metal conduit
Dimensions	21.30"L x 1.00"W x 1.93"H (541 x 26 x 49 mm)
Approvals	ETL for Class 1, Div 1 & 2 Group D hazardous locations

* OSHA stipulates that all electrical equipment (used in the workplace) be tested and approved by a Nationally Recognized Testing Laboratory (NRTL) accredited by OSHA. UL® and ETL certifications are approved NRTLs in the USA. ATEX certified equipment is not approved by OSHA for use in the USA.

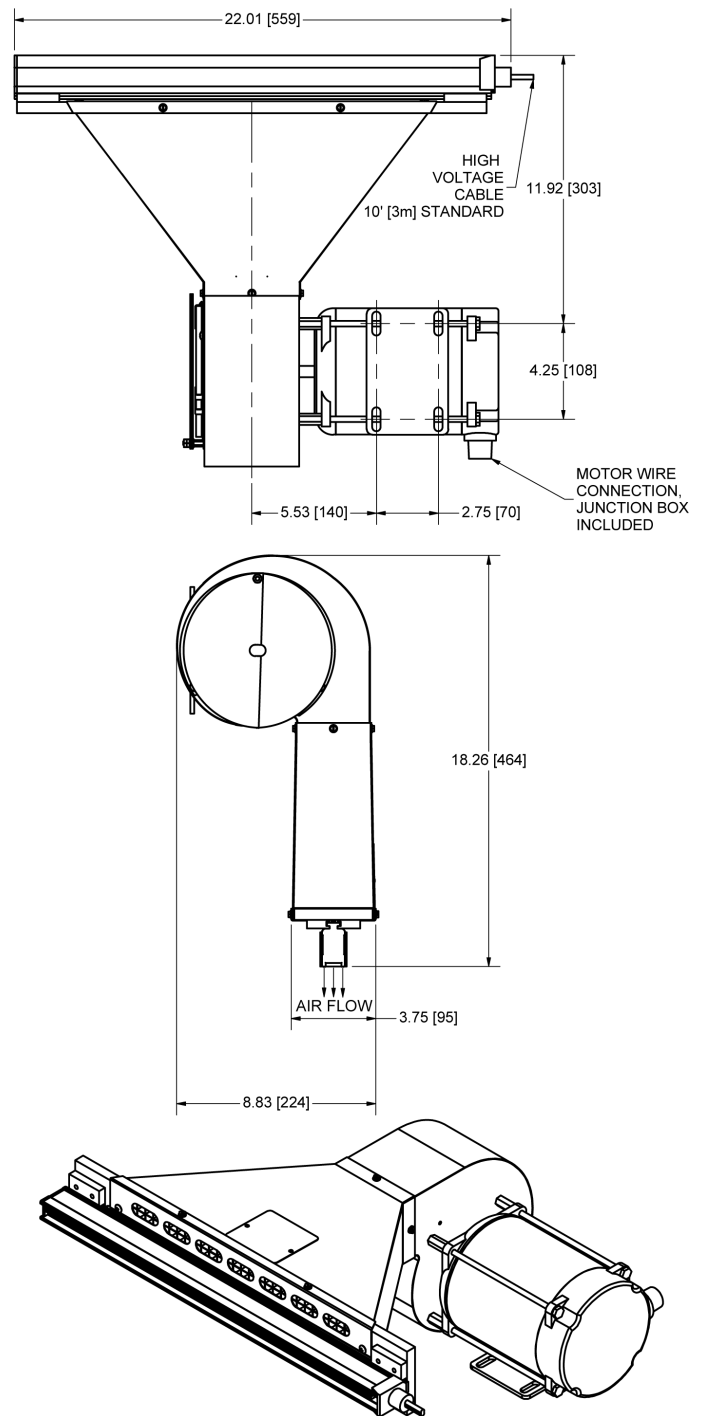
Updating to the latest IQ Power Control Station version, users now have the ability to:

- Invoke Calibration and see when last calibration was completed
- Adjust the Clean Bar Threshold
- Monitor Ion Output

Ionization Characteristics

Distance	Typical Discharge Time (1000V to 100V)	
	Positive (+) Decay	Negative (-) Decay
1 ft [0.3m]	0.5 sec	0.5 sec
2 ft [0.6m]	1.0 sec	1.0 sec
3 ft [0.9m]	1.5 sec	1.8 sec
4 ft [1.2m]	2.0 sec	2.5 sec
5 ft [1.5m]	3.0 sec	4.0 sec
6 ft [1.8m]	4.0 sec	5.2 sec
8 ft [2.4m]	6.5 sec	8.2 sec
10 ft [3.0m]	9.0 sec	12.5 sec

Dimensions



The IQ Power Fantom HL Blower should not be mounted with the motor shaft vertically upward.

SIMCO IONTM
An ITW Company

P/N 5201313 Rev. A
© 2020 Simco-Ion - All rights reserved.
Specifications are subject to change without notice.

Simco-Ion

2257 North Penn Road
Hatfield, PA 19440-1998
Tel: 800.203.3419 (in USA)
Tel: 215.822.6401

customerservice@simco-ion.com
www.simco-ion.com